

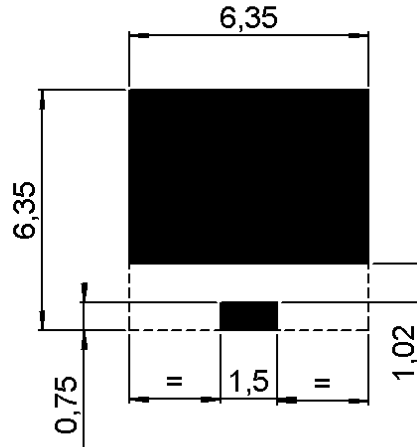
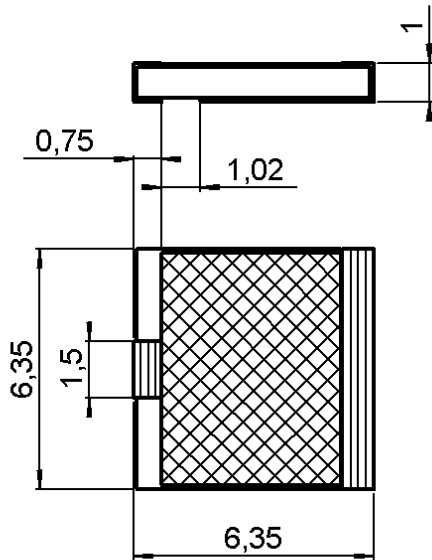
SMT TERMINATION (ALN)

DC - 4.4GHZ 30-60W (TRUE SURFACE MOUNT)

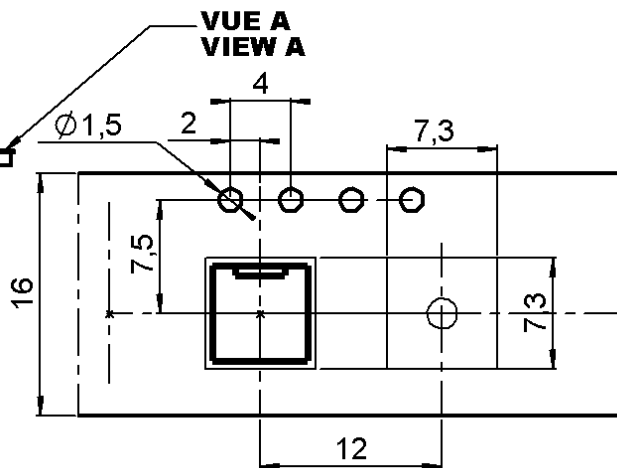
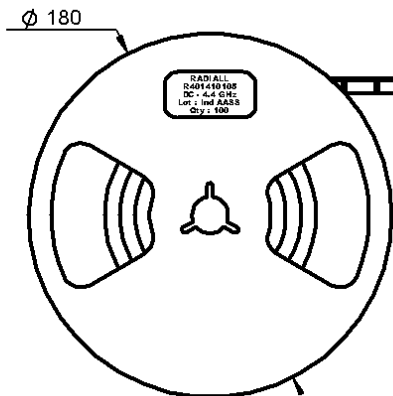
R401.410.105

Series :
TERMINATION

SOLDERING PATTERN



* **CONDITIONNEMENT PAR 100**
PACKAGING BY 100 *



dimensions are in mm.



Weight 0,0000 g

Specification

Issue : 0524 A

In the effort to improve our products, we reserve the right to make changes judged to be necessary.



SMT TERMINATION (ALN)

R401.410.105

DC - 4.4GHZ 30-60W (TRUE SURFACE MOUNT)

Series :
TERMINATION

ELECTRICAL CHARACTERISTICS

Frequency range : DC – 4.4 GHz
 Impedance : 50 ohms ±5%
 Average Power : 60 W

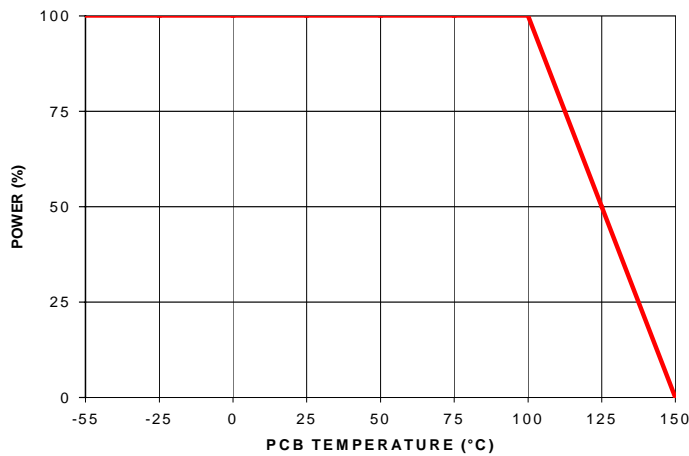
Frequency	DC – 2.2 GHz	DC – 4.4 GHz			
V.S.W.R	<= 1.15	<= 1.25			

MECHANICAL CHARACTERISTICS

Substrate : AlN
 Resistive film type : Thick film
 Protective coating : Epoxy
 Solderable terminal & ground : AgPd

OTHER CHARACTERISTICS

Power derating
Versus temperature



ENVIRONMENTAL

Operating temperature range : -55°C + 150°C

****IMPORTANT NOTE FOR POWER DISSIPATION**

30W : When mounted on PCB 0.8mm thick Sn 35µ plated with 48 via holes Ø 0.5mm filled with Sn96Ag4 solder.

60W : When directly soldered on Ø 4.5mm Cu cylinder acting as a thermal drain.

Issue : 0524 A

In the effort to improve our products, we reserve the right to make changes judged to be necessary.

